

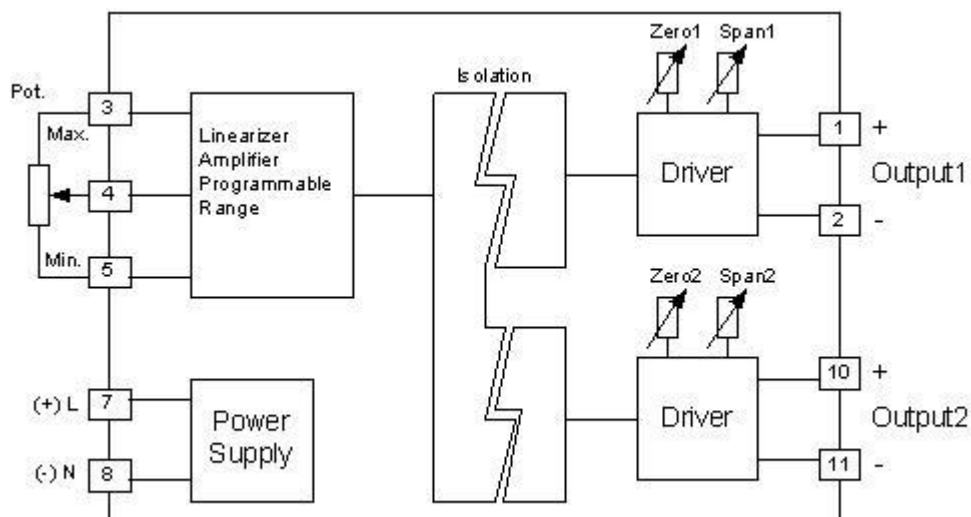
Potentiometer Transmitter

PT98



- Output linear to pot. Position
- Provides pot. Excitation
- 2 Isolated outputs
- Isolation of input, output and power supply

The Potentiometer Transmitter PT98 provides potentiometer excitation and produces a standard process output voltage or current linearly proportional to the position of the potentiometer wiper. The typical applications are position sensor, remote setpoint or indication of valve position.



Specifications

Potentiometer Input

Number of channel: 1 Channel

Input type: Potentiometer

Input range: 100 Ω thru 50 K Ω

Span: Adjustable 50 to 100 % of full scale output

Zero: Adjustable 0 to 50 % of the full scale output

Analog Output

Number of channel: 2 Channels

Output type: Current, Voltage

Output range:

Current (0 to 20, 4 to 20 mA)

Voltage (0 to 1, 0 to 5, 0 to 10 VDC)

Linearity: < \pm 0.2% of span

Output Load Resistance:

Current (max. 1000 Ω load)

Voltage (min 1000 Ω load)

Isolation voltage: 500 VAC between input, output and power supply

Ordering Information: Specify output, power supply

Example PT98/4-20 mA/1-5 VDC/220 VAC

Package Checklist

1. PT98

Power Requirements

Power Supply: 100, 110, 220 VAC
(24 VDC Optional)

Environmental Limits

Operating Temperature: 0 to 55 $^{\circ}$ C

Operating Humidity: 5 to 95% RH

Storage Temperature: 0 to 70 $^{\circ}$ C

Physical Characteristics

Dimension: W50 x H70 x D130 mm.

Mounting: Wall or DIN rail

Connection: Plug-in 11 pins socket

Warranty

Warranty Period: 5 year